



For Use in CCO Written Examinations

QMC (Boom Truck) LOAD CHART TELESCOPIC BOOM—RESTRICTED

These charts have been adapted from the original manufacturer's charts for use in CCO Written Examinations.

This supplement is not to be used for any other purpose.

Copyright 2018 National Commission for the Certification of Crane Operators (NCCCO).
All rights reserved. This document may not be reproduced in whole or in part without express
written permission of the manufacturer and the consent of NCCCO.

HOLD HARMLESS/RELEASE/DISCLAIMER AGREEMENT

The reading and/or using person or entities using this publication for and in consideration of the assistance, cooperation, and information given by the National Commission for the Certification of Crane Operators (NCCCO) in this publication, *Telescopic Boom—Restricted Crane Exam Charts Booklet*, the receipt of which is acknowledged, does hereby and for all future time have released, hold harmless from any liability, and forever discharged for itself, its administrators and assigns the said NCCCO from all and any manner of action or demands whatsoever in law, in admiralty, or in equity, which against the said NCCCO anyone ever had, now have, or which shall be later claimed. This agreement relates specifically to any cause of action arising out of the publication, information provided, subsequent conduct, and any use of the information provided in this publication and related uses or demonstrations of skills, methods, and techniques cited in the

publication. This mutually beneficial release and hold harmless agreement may not be changed orally and exists in perpetuity. NCCCO generally and specifically disclaims any warranty, merchantability of intended or unintended use, or liability for use of the in the information. This publication is issued solely as a public service to improve the lifting industry and promote public safety.

Copyright 2018 by the National Commission for the Certification of Crane Operators. All rights reserved. No part of this book may be reproduced or transmitted in any form or by any means, electronic or mechanical, including photocopying, recording, or by any information storage and retrieval system, without prior written permission from the publisher. For information, contact the publisher, the National Commission for the Certification of Crane Operators.

QUIK MFG. COMPANY (QMC) RATED LIFTING CAPACITIES (LB.)

OVER THE REAR								
19 FEET BOOM			24 FEET BOOM			30 FEET BOOM		
WORKING RADIUS	BOOM ANGLE	RATED LOAD	WORKING RADIUS	BOOM ANGLE	RATED LOAD	WORKING RADIUS	BOOM ANGLE	RATED LOAD
6	74	40000*						
8	67	40000*	8	74	40000*			
10	60	40000*	10	68	37580	10	74	35710
12	53	35930	12	63	33150	12	69	31310
15	38	28210	15	54	28270	15	63	26740
18	0	21800	18	44	22280	18	55	22370
			20	36	17500	20	50	17590
			23.5	0	12400	25	34	11230
						29	0	8500

* CAPACITY IS LIMITED BY THE REEVING

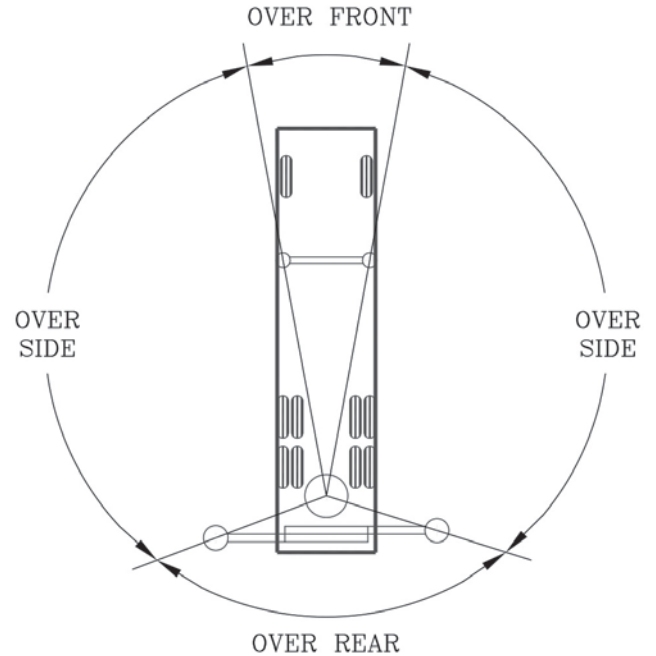
OVER THE SIDE								
19 FEET BOOM			24 FEET BOOM			30 FEET BOOM		
WORKING RADIUS	BOOM ANGLE	RATED LOAD	WORKING RADIUS	BOOM ANGLE	RATED LOAD	WORKING RADIUS	BOOM ANGLE	RATED LOAD
6	74	40000*						
8	67	40000*	8	74	40000*			
10	60	40000*	10	68	37580	10	74	35710
12	53	35930	12	63	33150	12	69	31310
15	38	28410	15	54	28520	15	63	26740
18	0	17900	18	44	18310	18	55	18390
			20	36	14640	20	50	14720
			23.5	0	10600	25	34	9610
						29	0	7300

* CAPACITY IS LIMITED BY THE REEVING

OVER THE FRONT								
19 FEET BOOM			24 FEET BOOM			30 FEET BOOM		
WORKING RADIUS	BOOM ANGLE	RATED LOAD	WORKING RADIUS	BOOM ANGLE	RATED LOAD	WORKING RADIUS	BOOM ANGLE	RATED LOAD
6	74	40000*						
8	67	40000*	8	74	40000*			
10	60	40000*	10	68	37580	10	74	35710
12	53	35930	12	63	33150	12	69	31310
15	38	30980	15	54	28520	15	63	26740
18	0	23100	18	44	24750	18	56	23280
			20	36	22500	20	50	21210
			23.5	0	17500	25	35	17330
						29	0	14000

* CAPACITY IS LIMITED BY THE REEVING

AREAS OF OPERATION ON OUTRIGGERS



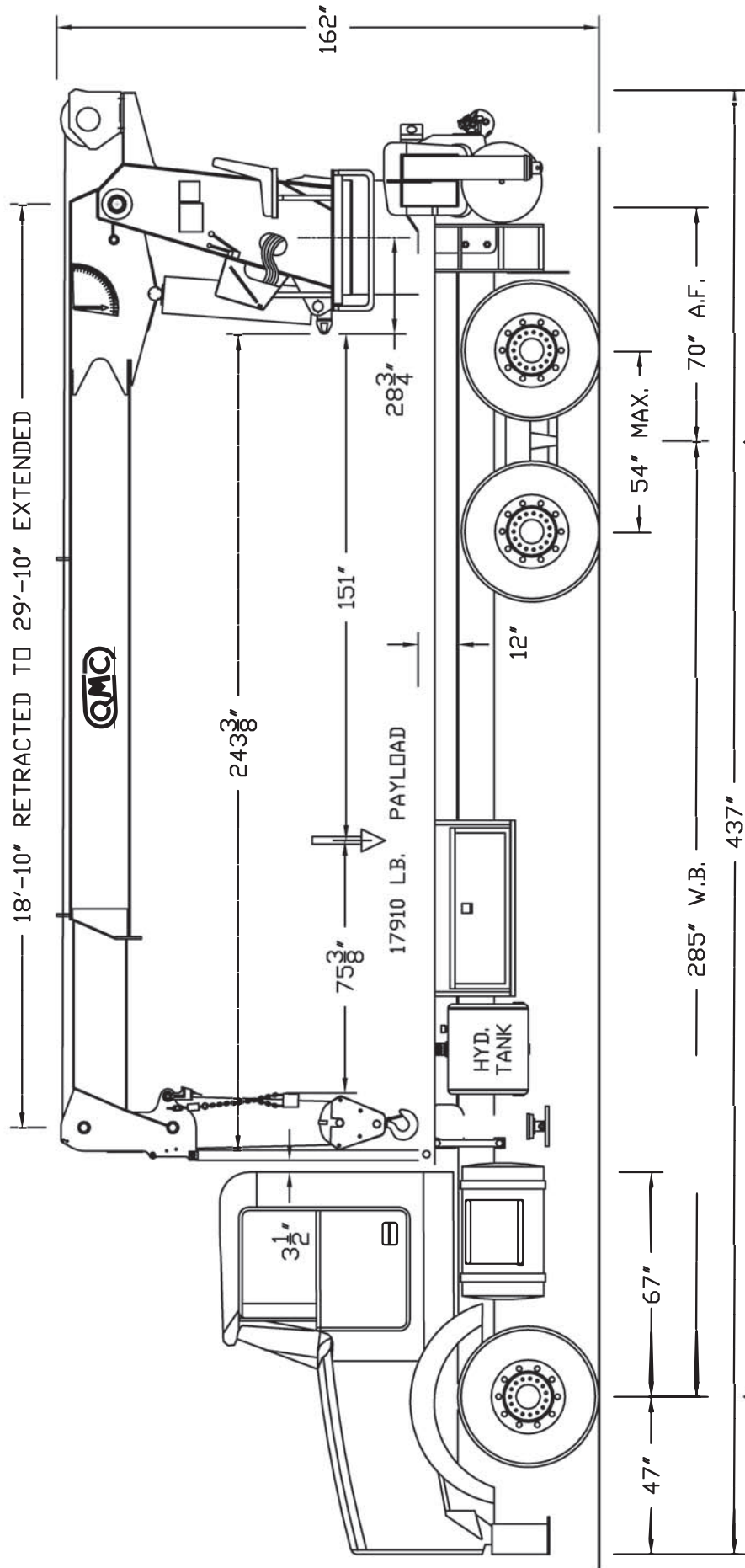
THIS DIAGRAM SHOWS THE LIMITING POSITION OF LOADS FOR OPERATION WITHIN INDICATED WORK AREAS.

WIRE ROPE CAPACITY (LB.)								
PARTS LINE	1	2	3	4	5	6	7	8
LINE PULL	8340	16680	25020	33360	41700*	0	0	0

DO NOT EXCEED PARTS OF LINE RATINGS

RATING REDUCTION FOR LOAD HANDLING DEVICES	
20-TON DOUBLE-SHEAVE BLOCK	222 LB.

NOTES
1. CAPACITIES ABOVE DO NOT INCLUDE WEIGHT OF BLOCK, SLINGS AND ALL OTHER EQUIPMENT USED TO HANDLE OBJECTS BEING LIFTED.
2. NO WIRE ROPE DEDUCTIONS ARE REQUIRED.
3. LOAD RATINGS ARE FOR ZERO DEGREE LIST.
4. LOADS MUST BE FREELY SUSPENDED.
5. ALL OUTRIGGERS SHALL BE PROPERLY EXTENDED WITH TIRES RAISED FREE OF CRANE WEIGHT BEFORE OPERATING THE BOOM OR LIFTING LOADS.
6. CAPACITIES SHOWN IN BOLD TYPE INDICATE STRUCTURAL CAPACITY LIMITS. ALL OTHER CAPACITIES INDICATE TIPPING LIMITS.
7. WHEN THE BOOM LENGTH OR WORKING RADIUS OR BOTH ARE BETWEEN VALUES LISTED, THE SMALLEST LOAD SHOWN AT EITHER THE NEXT LARGER RADIUS OR NEXT LONGER OR SHORTER BOOM LENGTH SHALL BE USED.



TOTALS



11130 LB.	7990 LB.	19120 LB.	TRUCK
1390 LB.	15580 LB.	16970 LB.	CRANE
7480 LB.	10430 LB.	17910 LB.	PAYLOAD
<u>20000 LB.</u>	<u>34000 LB.</u>	<u>54000 LB.</u>	TOTAL

WITH 120 GALLONS OF FUEL & A 200 LB. DRIVER

This page intentionally left blank



**NATIONAL COMMISSION FOR THE
CERTIFICATION OF CRANE OPERATORS**

2750 Prosperity Avenue, Suite 505
Fairfax, VA 22031-4312

Phone: 703-560-2391

Fax: 703-560-2392

info@nccco.org

www.nccco.org